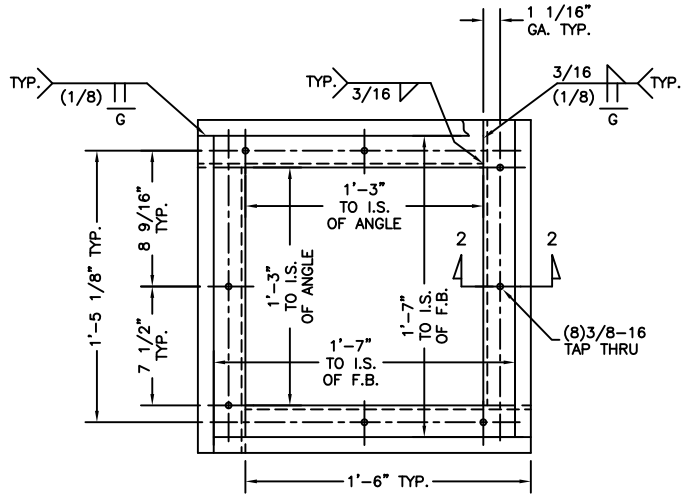
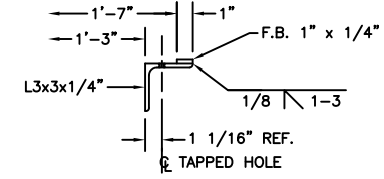


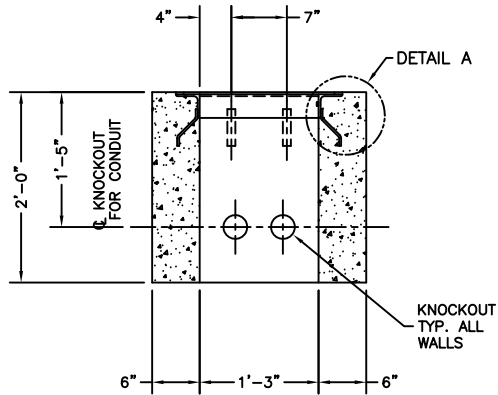
PLAN VIEW  
(COVER PLATE NOT SHOWN)



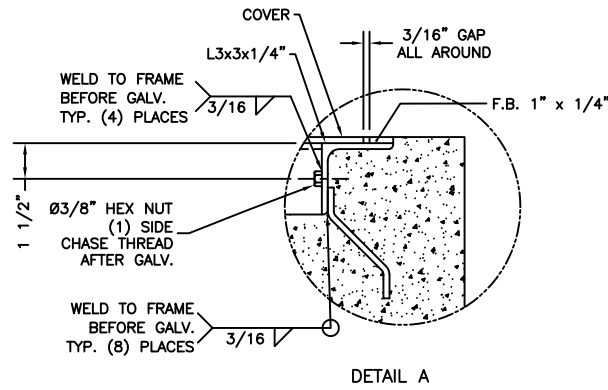
FRAME  
MAT'L: ASTM A36  
HOT DIP GALVANIZED



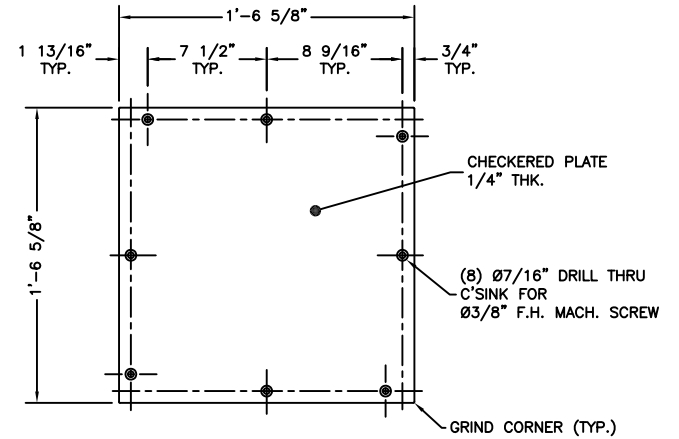
SECT. 2-2



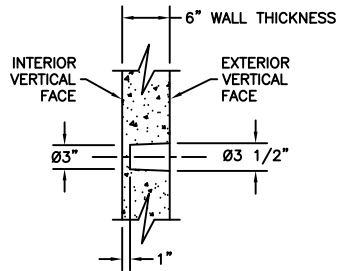
SECT. 1-1



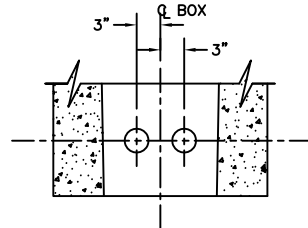
DETAIL A



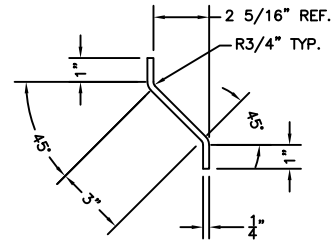
COVER PLATE  
MAT'L: ASTM A36/A36M  
HOT DIP GALVANIZED



TYP. KNOCKOUT DETAIL



TWO CONDUITS PER VERTICAL FACE  
(TYP.)  
NORMAL LAYOUT OF MULTIPLE CONDUITS



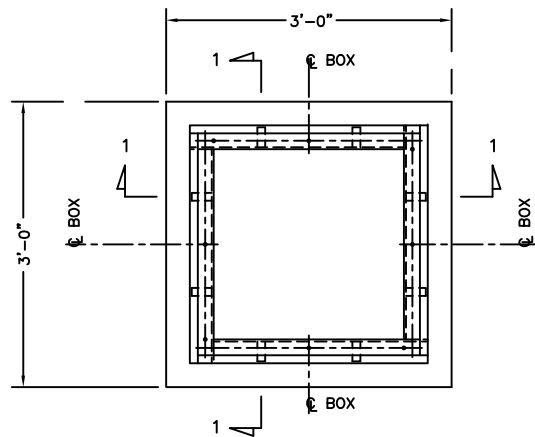
ANCHOR  
F.B. 1" x 1/4"

NOTES:

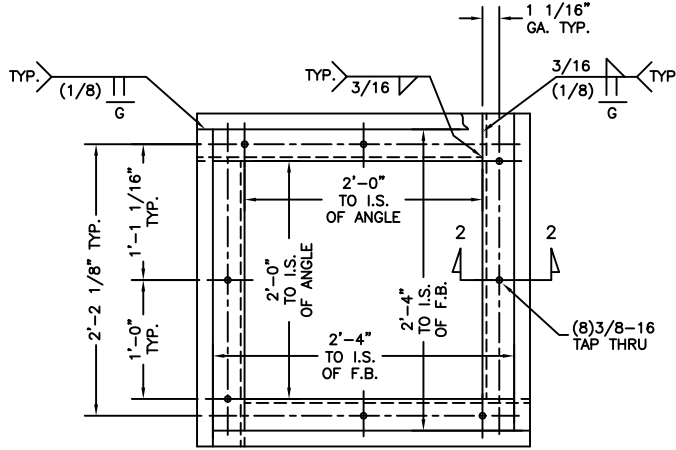
1. PROVIDE MATERIALS AND CONSTRUCTION AS SPECIFIED IN PUBLICATION 408/2000, SECTION 910, AND 1101.
2. ALL ANGLES AND FLAT BAR TO BE ASTM A36M/A36M.
3. CONCRETE TO BE CLASS AA (3750 PSI).
4. HOT DIP GALVANIZE FRAME AND COVER PLATE IN ACCORDANCE WITH PUBLICATION 408/2000, SECTION 1105.02(s).
5. PROVIDE (8) 3/8"-16 x 1/2" LG. F.H. BRONZE OR S.S. MACH. SCREWS TO ASSEMBLE COVER PLATE TO FRAME. COAT THREADS WITH ANTI-SEIZE COMPOUND.
6. INSIDE CORE TAPERED TO ALLOW FOR FORM STRIPPING.

FADDIS CONCRETE PRODUCTS  
HIGHWAY LIGHTING JUNCTION BOX  
LIGHT DUTY - TYPE JB-1  
3515 KINGS HIGHWAY  
DOWNTOWN, PA. 19335  
PHONE: (610) 269-4685

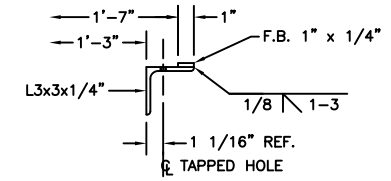
TITLE:	DR. BY:	SCALE:	DWG. NO.:
DATE: 1/3/01	GLE		D-6006-01-A
CLIENT:	PENN D.O.T.		



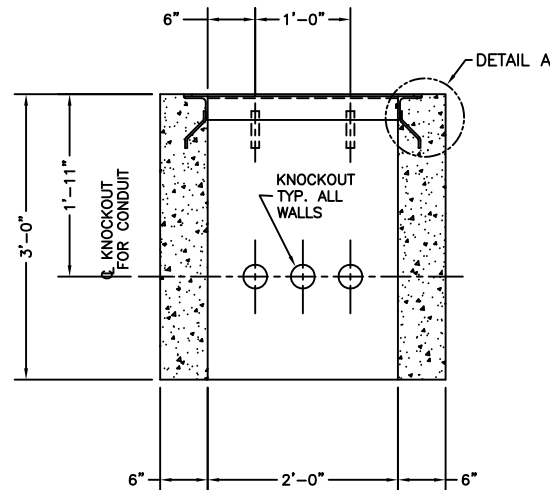
PLAN VIEW  
(COVER PLATE NOT SHOWN)



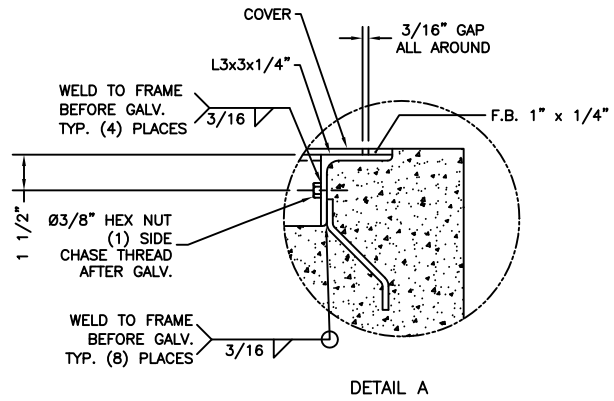
FRAME  
MAT'L: ASTM A36  
HOT DIP GALVANIZED



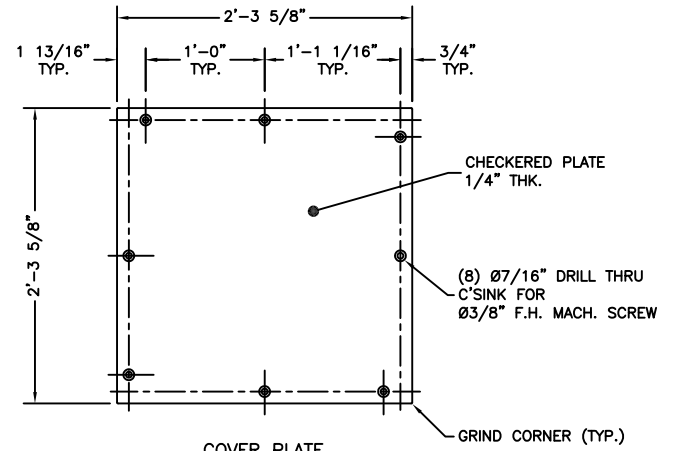
SECT. 2-2



SECT. 1-1

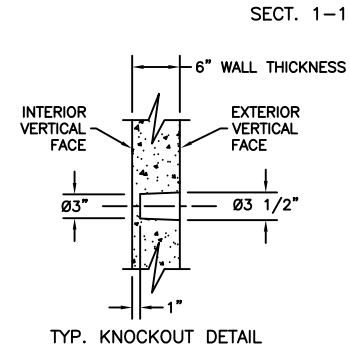


DETAIL A

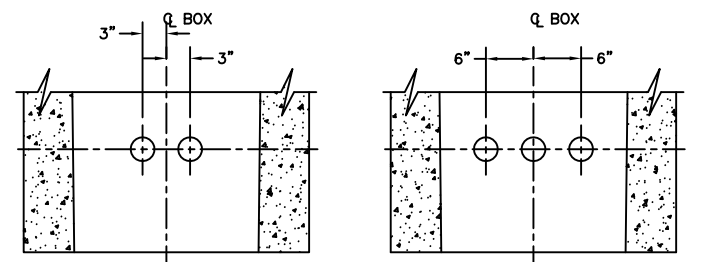


COVER PLATE  
MAT'L: ASTM A36M/A36M  
HOT DIP GALVANIZED

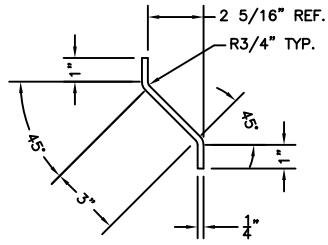
- NOTES:
1. PROVIDE MATERIALS AND CONSTRUCTION AS SPECIFIED IN PUBLICATION 408/2000, SECTION 910, AND 1101.
  2. ALL ANGLES AND FLAT BAR TO BE ASTM A36M/A36M.
  3. CONCRETE TO BE CLASS AA (3750 PSI).
  4. HOT DIP GALVANIZE FRAME AND COVER PLATE IN ACCORDANCE WITH PUBLICATION 408/2000, SECTION 1105.02(s).
  5. PROVIDE (8) 3/8-16 x 1/2" LG. F.H. BRONZE OR S.S. MACH SCREWS TO ASSEMBLE COVER PLATE TO FRAME. COAT THREADS WITH ANTI-SEIZE COMPOUND.
  6. INSIDE CORE TAPERED TO ALLOW FOR FORM STRIPPING.



TYP. KNOCKOUT DETAIL



TWO CONDUITS PER VERTICAL FACE  
THREE CONDUITS PER VERTICAL FACE (TYP.)  
NORMAL LAYOUT OF MULTIPLE CONDUITS



ANCHOR  
F.B. 1" x 1/4"

JB-2-A.DWG

FADDIS CONCRETE PRODUCTS HIGHWAY LIGHTING JUNCTION BOX LIGHT DUTY - TYPE JB-2			
3515 KINGS HIGHWAY DOWNTOWN, PA. 19335 PHONE: (610) 269-4685			
TITLE:	DR. BY:	SCALE:	DWG. NO.:
DATE:	GLE	--	D-6006-02-A
1/3/01			
CLIENT:	PENN D.O.T.		

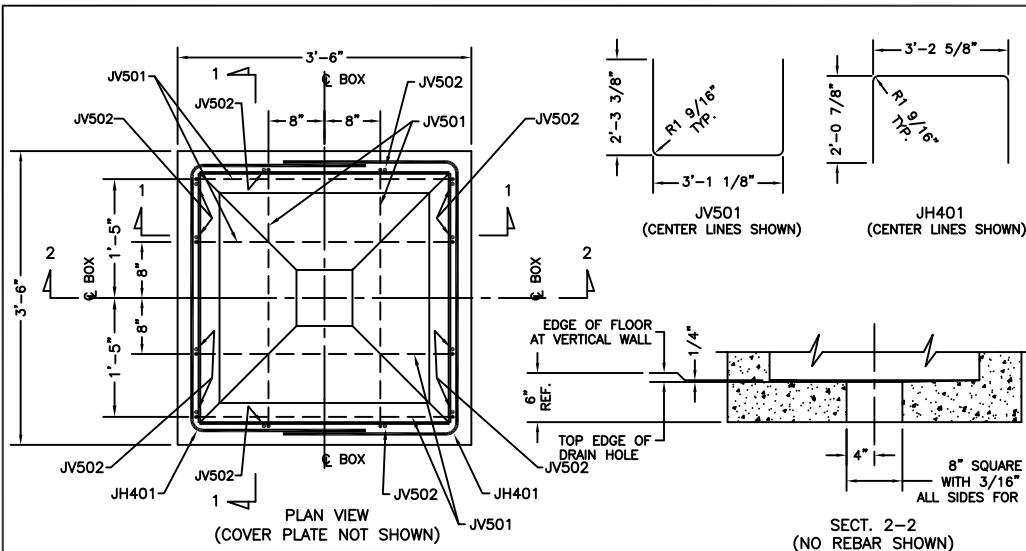
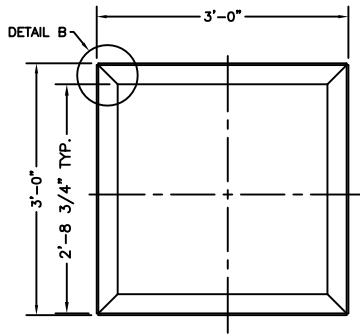
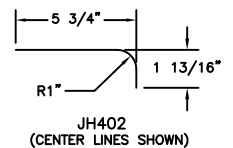
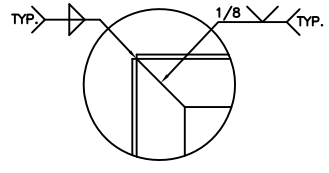


TABLE A	JH401	JH402	JV403	JV501	JV502
QUAN.	10	12	16	6	12

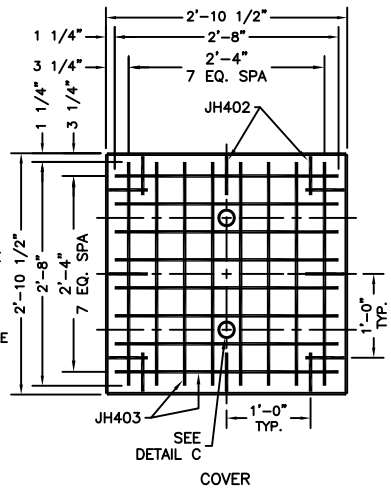
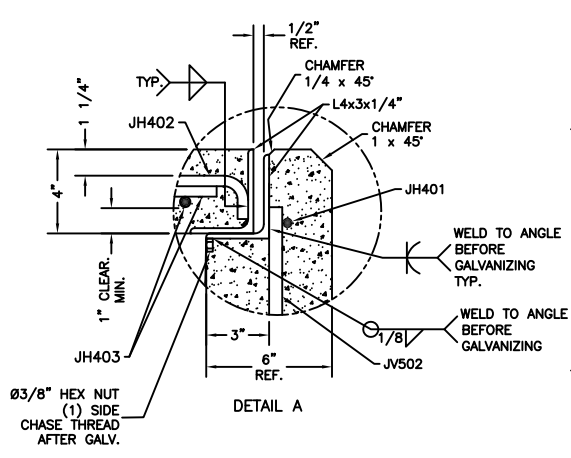
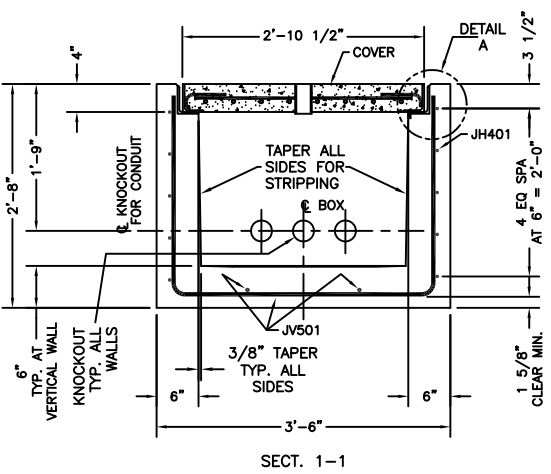
TABLE B	BAR SIZE ENGLISH	UNBENT LENGTH
JV501	5	7'-6 5/8"
JV502	5	0'-8"
JH401	4	7'-3"
JH402	4	0'-7 1/8"
JH403	4	2'-8"



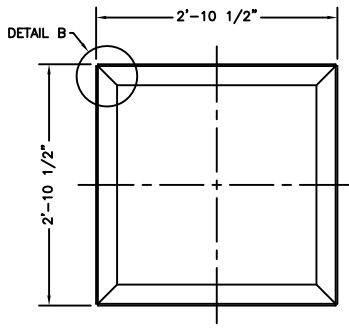
BOX OPENING FRAME  
MAT'L: ASTM A36M/A36M  
HOT DIP GALVANIZED



DETAIL B

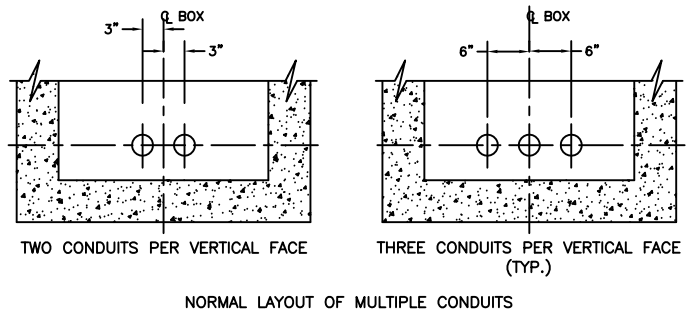
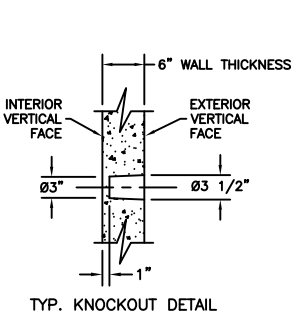


COVER

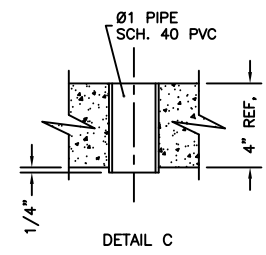


COVER FRAME  
MAT'L: ASTM A36M/A36M  
HOT DIP GALVANIZED

- NOTES:
1. PROVIDE MATERIALS AND CONSTRUCTION AS SPECIFIED IN PUBLICATION 408M, SECTION 910, AND 1101.
  2. ALL ANGLES AND FLAT BAR TO BE ASTM A36/A36M.
  3. CONCRETE TO BE CLASS AA (3750 PSI).
  4. HOT DIP GALVANIZE FRAME AND COVER PLATE IN ACCORDANCE WITH PUBLICATION 408M, SECTION 1105.02(g).
  5. ALL REINFORCEMENT STEEL BARS SHOWN TO MEET ASTM A615M, A616M, AND A706M, PLAIN/UNCOATED.



NORMAL LAYOUT OF MULTIPLE CONDUITS



DETAIL C

FADDIS CONCRETE PRODUCTS  
HEAVY LIGHTING JUNCTION BOX  
HEAVY DUTY - TYPE JB-II

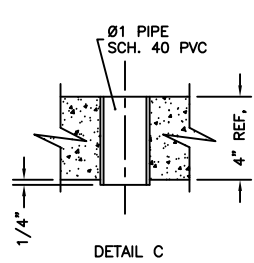
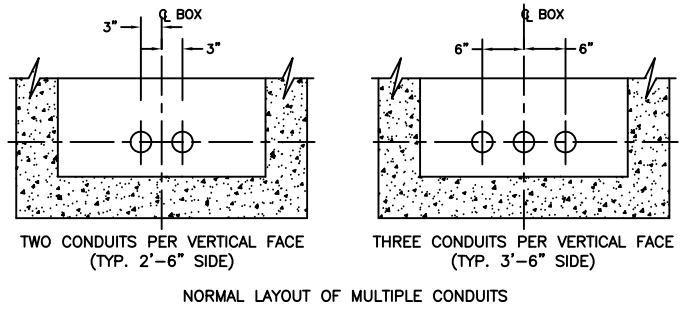
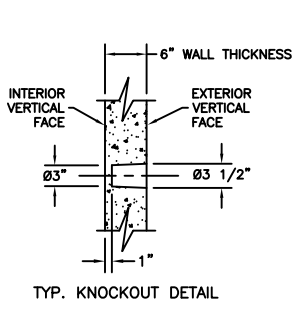
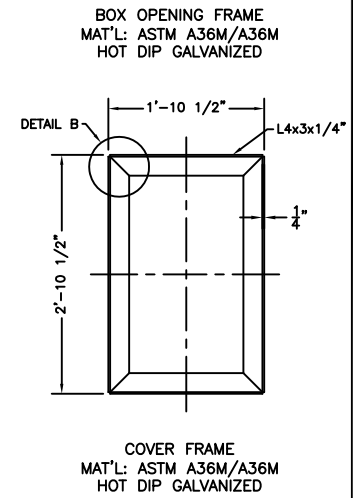
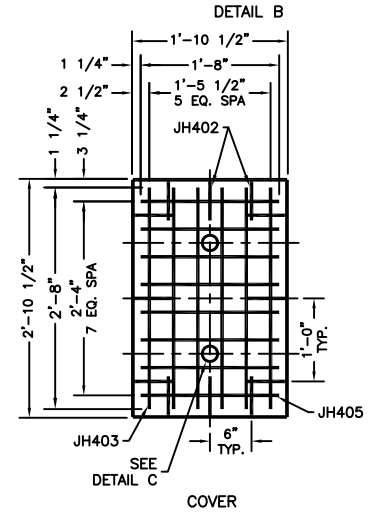
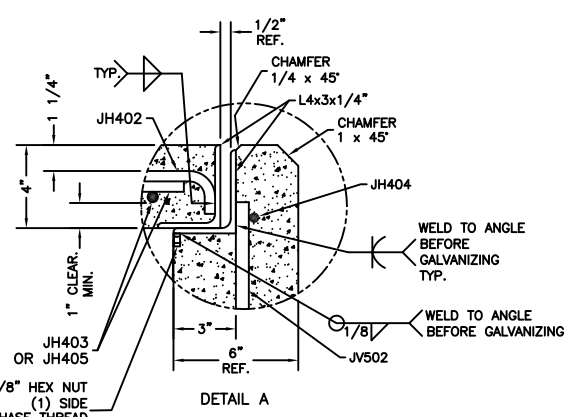
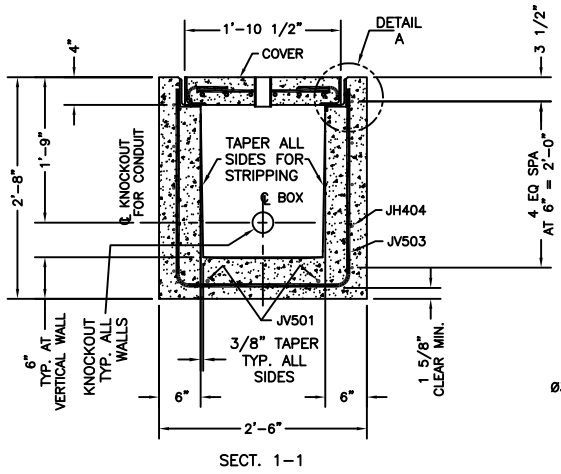
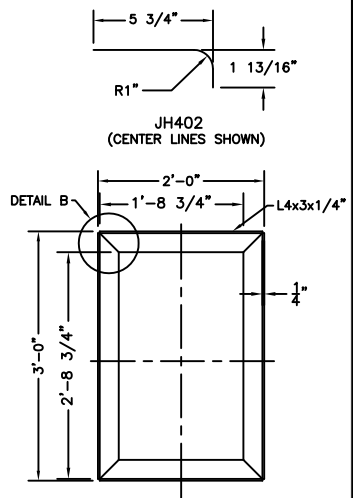
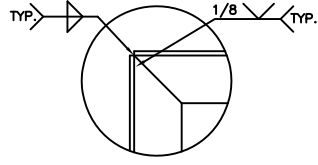
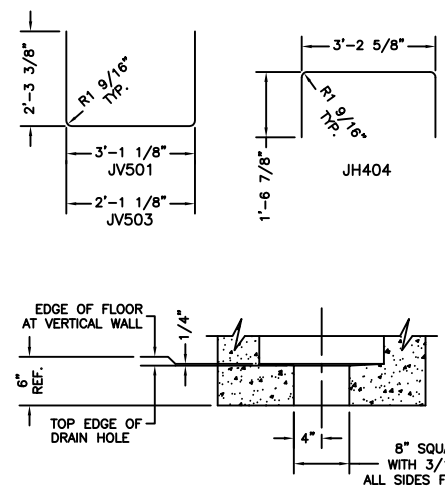
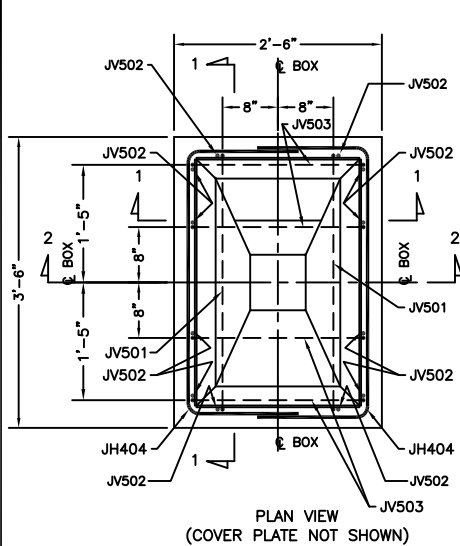
3515 KINGS HIGHWAY  
DOWNTOWN, PA. 19335  
PHONE: (610) 269-4685

TITLE:	DATE:	DR. BY:	SCALE:	DWG. NO.:
	1/16/01	GLE	---	D-6006-II-A
CLIENT:	PENN D.O.T.			

JB-11-A.DWG

TABLE A	JH402	JV403	JH404	JH405	JV501	JV502	JV503
QUAN.	12	6	10	8	2	12	4

TABLE B	BAR SIZE ENGLISH	UNBENT LENGTH
JV501	5	7'-6 1/2"
JV502	5	0'-8"
JV503	5	6'-6 1/2"
JH402	4	0'-7 1/8"
JH403	4	2'-8"
JH404	4	6'-3"
JH405	4	1'-8"



- NOTES:
1. PROVIDE MATERIALS AND CONSTRUCTION AS SPECIFIED IN PUBLICATION 408M, SECTION 910, AND 1101.
  2. ALL ANGLES AND FLAT BAR TO BE ASTM A36/A36M.
  3. CONCRETE TO BE CLASS AA (3750 PSI).
  4. HOT DIP GALVANIZE FRAME AND COVER PLATE IN ACCORDANCE WITH PUBLICATION 408M, SECTION 1105.02(s).
  5. ALL REINFORCEMENT STEEL BARS SHOWN TO MEET ASTM A615M, A616M, AND A706M, PLAIN/UNCOATED.

FADDIS CONCRETE PRODUCTS  
 HIGHWAY LIGHTING JUNCTION BOX  
 HEAVY DUTY - TYPE JB-12  
 3515 KINGS HIGHWAY  
 DOWNINGTOWN, PA. 19335  
 PHONE: (610) 269-4685

TITLE:	DR. BY:	SCALE:	DWG. NO.:
DATE:	GLE	--	D-6006-12-A
CLIENT:	PENN D.O.T.		